

# INSTALLATION WITH RAIL

CLIP/SNAP



INSTALLATION GUIDE

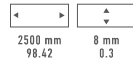
**RAIL H NR. 2519**



ca. 1 pce / m<sup>2</sup>  
10 pces / box



**RAIL L NR. 2509**



ca. 1 pce / m<sup>2</sup>  
10 pces / box



**CLIP A+ NR. 205**

ca. 5 m<sup>2</sup> / box  
60 pces / box



**SNAP WS NR. 101**

ca. 20 m<sup>2</sup> / box  
30 pces / box incl. screw



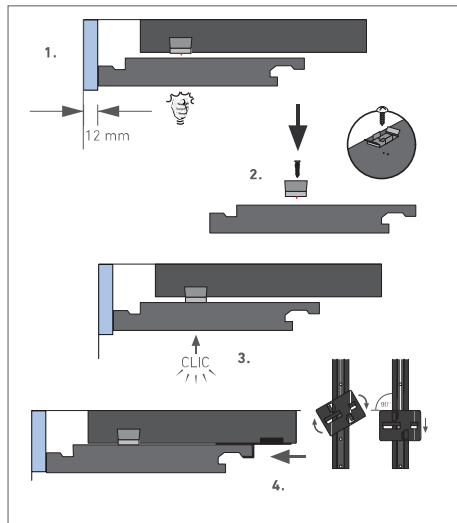
**SWISS ABSORBER NR. ZFA001**



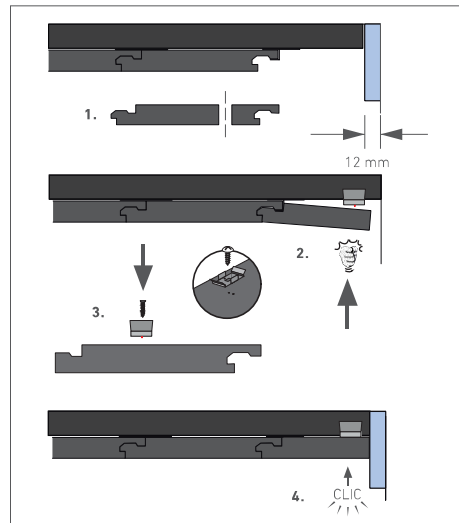
5.76 m<sup>2</sup> / box  
12 pces / box



**START**



**END**



# INSTALLATION ON WOOD

INSTALLATION CLIP AND START/END CLIP



INSTALLATION GUIDE

**INSTALLATION CLIP NR. 402**

ca. 5 m<sup>2</sup> / box  
60 pces / box incl. screws T10

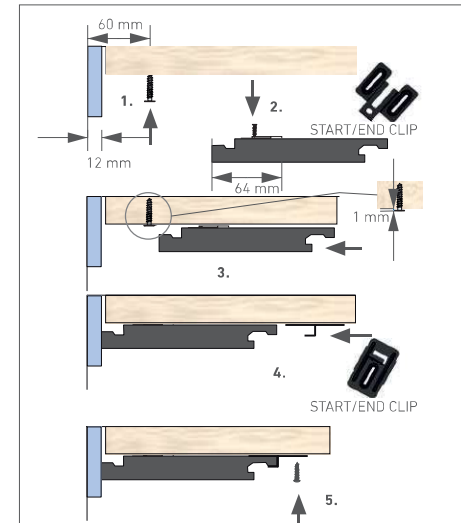


**START/END CLIP NR. 403**

ca. 20 m<sup>2</sup> / box  
15 pces / box incl. screws T10/T15



**START**



**END**

